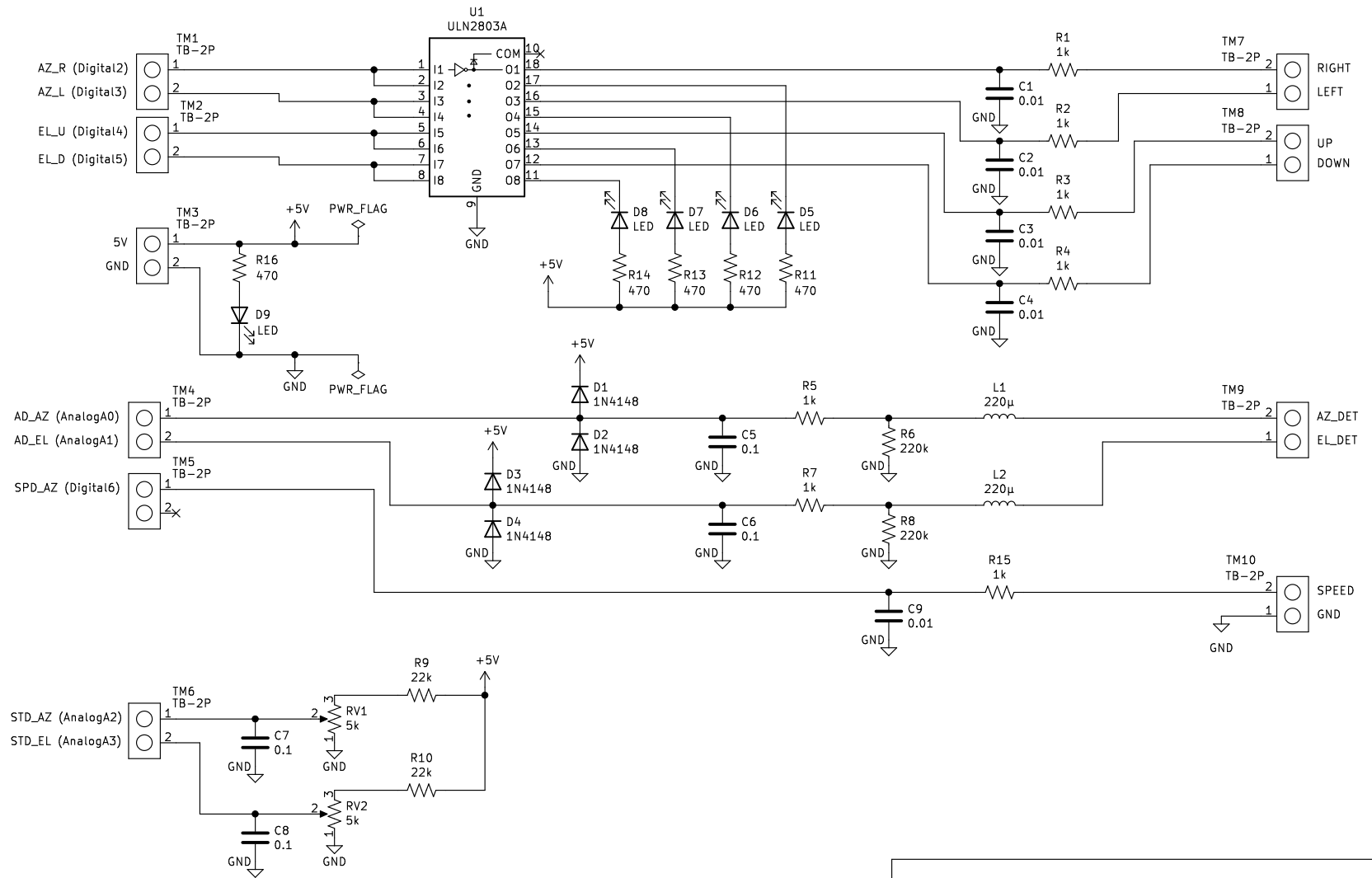


Arduino side

Rotator side



F01-01-01	
<b>Fun laboratory</b>	
Sheet: /	
File: Fun-232INF.sch	
<b>Title: Fun-232INF</b>	
Size: A4	Date: 2021-10-26
KiCad E.D.A. kicad (5.1.10)-1	<b>Rev: 1.0</b>
	Id: 1/1